

Connecting Altair Powerlouvre™ Windows to C-Bus Systems

Breezway Technical Bulletin

12 February 2009

Page 1 of 2

Clipsal recommends that their Shutter relay (L5501RBCP) is the simplest way C-bus can interface with the Powerlouvre™ Window. It is primarily designed for a 3 wire, 240v motorised bind, but can easily be wired for a DC setup.

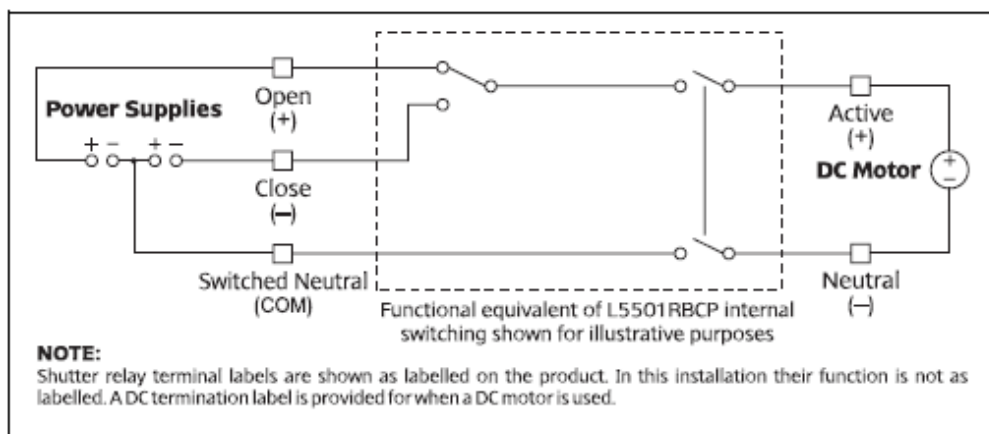


Figure 2 - L5501RBCP wiring using a DC motor

Figure 2 shows how the L5501RBCP is used with a DC motor. When Open is activated, positive polarity is applied to the motor; when Close is activated, negative polarity is applied. In this configuration two power supplies are required.



NOTE

The terminals of the L5501RBCP are labelled for use with an AC motor. When using a DC motor, attach the provided DC termination label over the factory terminal label. Refer to Figure 3.

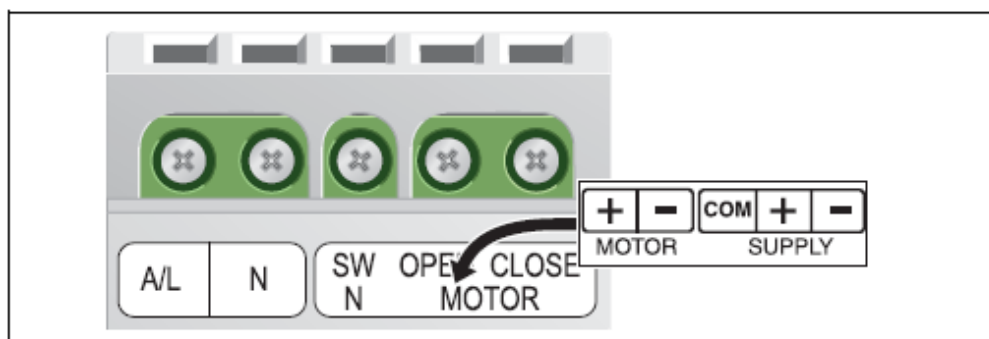


Figure 3 - The alternative label to be attached when a DC motor is used

Notes:

- When using this Shutter Relay an extra power supply will be needed.
- The maximum load on the shutter relay is 2A. This will limit how many Powerlouvre™ motors can be attached to an individual Shutter relay.
- If multiple Shutter relays are used, the DC feed could be daisy chained from one shutter relay to the next. The 24v supply will need to be big enough to power all the louvers at once, as it's inevitable they will be at some stage.

Further details on the Clipsal Shutter Relay (L5501RBCP) can be found using the following link.
http://www2.clipsal.com/cis/_data/page/428/L5501RBCP_C-BusShutterRelay-Installation2.pdf

An enclosure is available that allows the relay to be mounted much closer to the Powerlouvre™ Window. See catalogue (5501RE).

An alternative installation method would be to use a changeover relay (L5504RVFC), however this is a significantly more expensive c-bus unit, and also requires significantly more programming (logic) if the Powerlouvre™ Windows need to be left partly open. While it will work, it is not the solution Clipsal recommends.